


PRODUCT SHEET

Description:

Shower Hinge "Tex III", 135DG, Black Finish, Glass/Glass, 6- 10mm Glass Thickness,W/15DG Angle Adjustment Function & 25DG, Return Function, Brass Material, Straight Edges, Incl. 4 x Transp. 1mm & 4 x Transp. Cushions 2mm Thickness

Item number:

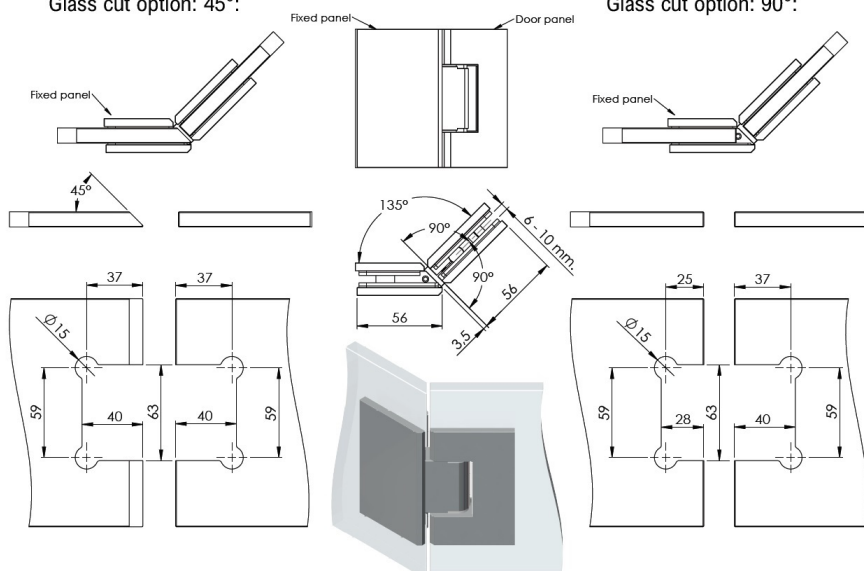
15.24.054-4

Units	Box	Carton	HS Code	Barcode
Pcs.	1	20	8302100090	
				5704866501774



Glass cut option: 45°:

Glass cut option: 90°:



SISO A/S

Mileparken 11
DK-2740 Skovlunde
Denmark
VAT: DK 24786013

Phone +45 45 830 900

www.siso.dk
siso@siso.dk

Danske Bank
Nytorv Branch
Copenhagen
SWIFT: DABADKKK

Account no.
4180 3112 112936
IBAN Account
DK7230003112112936